

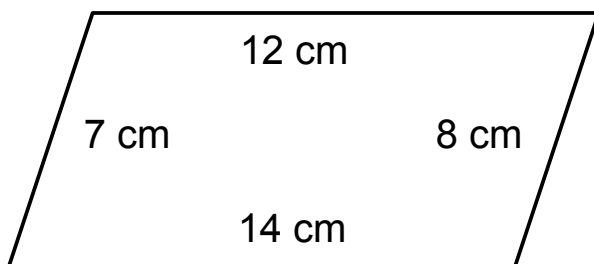
Class 4 Math

Measurement - Perimeter

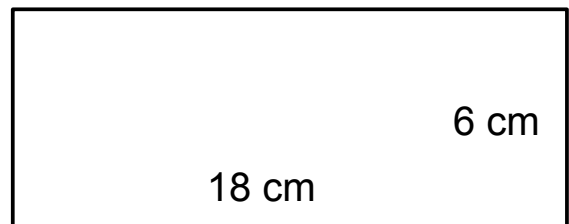
- Perimeter is the length of the boundary of a figure
- geometric figures have formulae to calculate perimeter
- unit of perimeter is same as the unit of sides

A. Find the perimeter of each figure.

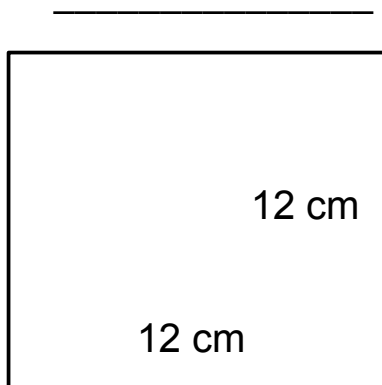
1.



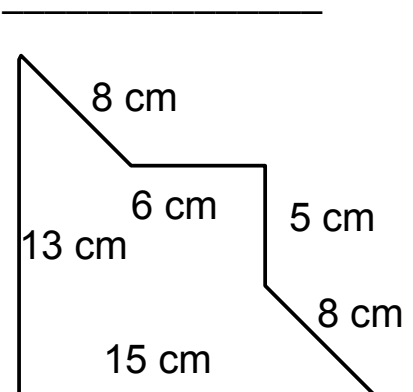
2.



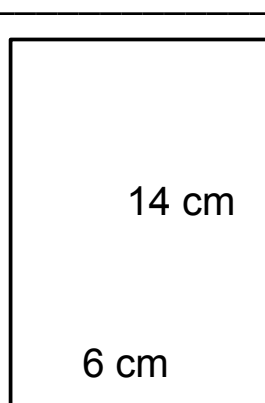
3.



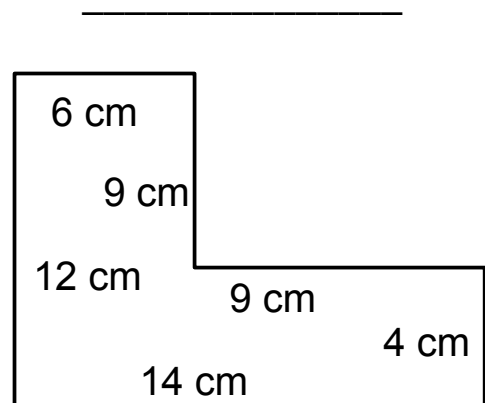
4.



5.

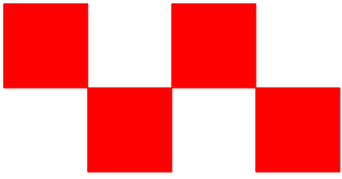


6.

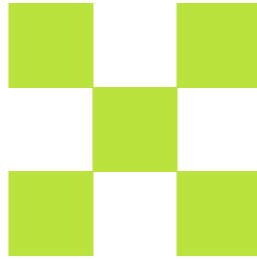


B. Find the perimeter of each shapes taking sides as 1 cm.

A.



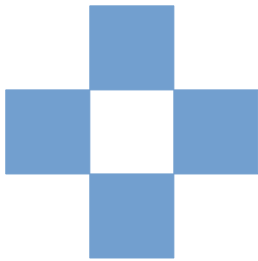
B.



C.



D.



E.

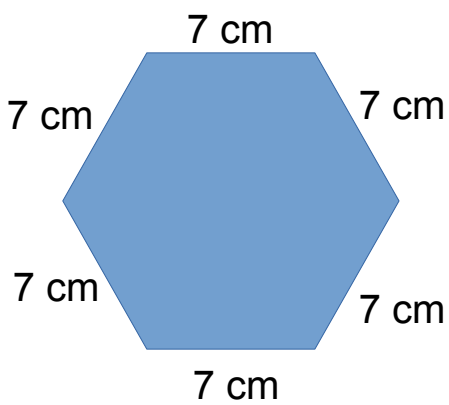


F.

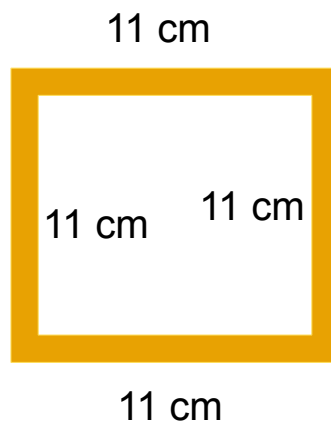


C. Find the perimeter of each shapes.

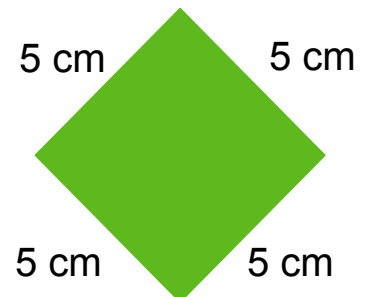
A.



B.



C.



Answers

A.

1. 41 cm

4. 55 cm

2. 48 cm

5. 40 cm

3. 48 cm

6. 54 cm

B.

A. 16 cm

D. 16 cm

B. 20 cm

E. 7 cm

C. 12 cm

F. 6 cm

C.

A. 42 cm

B. 44 cm

C. 20 cm